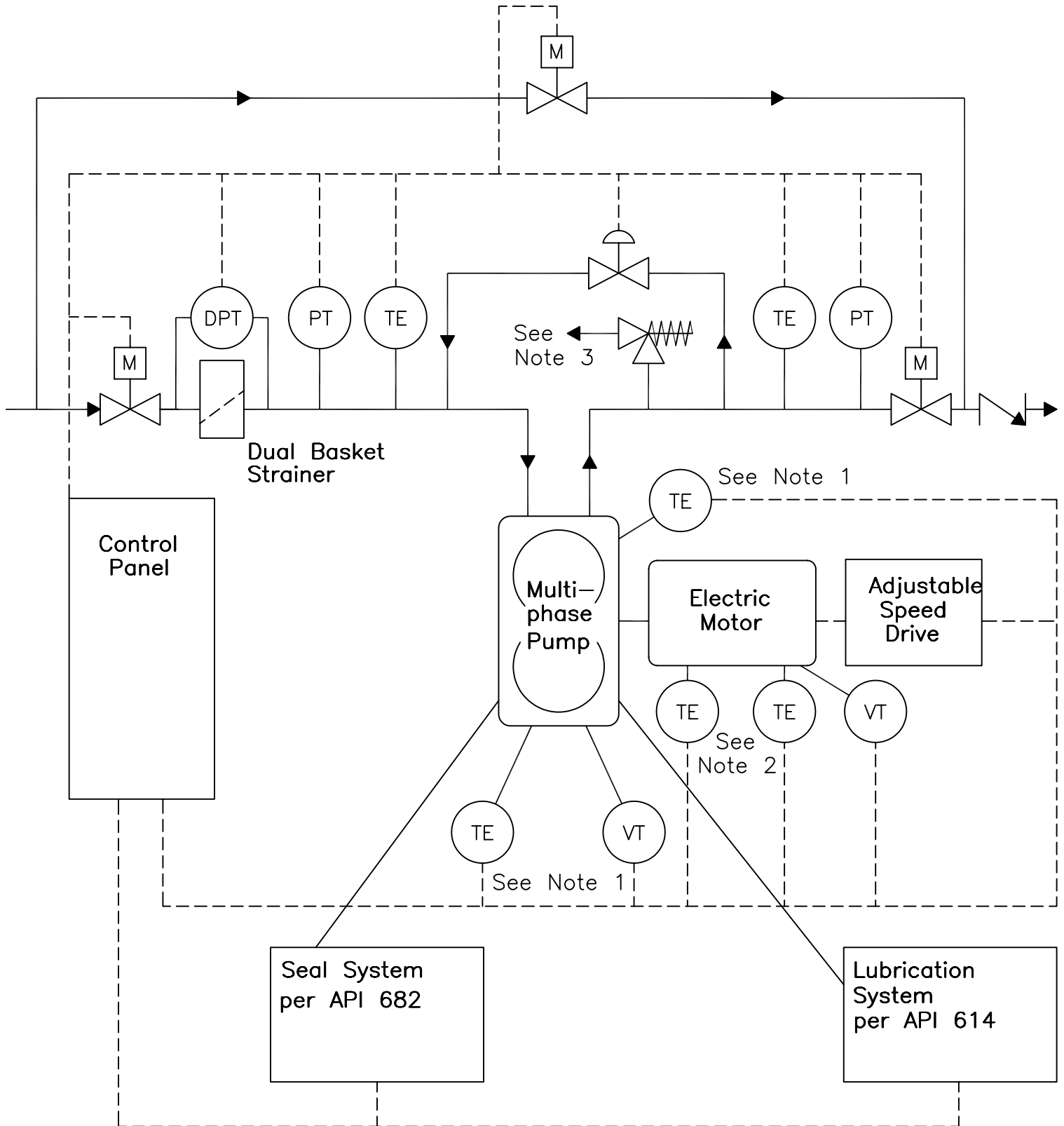


Typical P&ID for Multiphase Pump Skids



Note 1: Pump TE covers bearings and fluid discharge

Note 2: Motor TE covers windings and bearings

Note 3: Discharge from the pressure limiting valve shall be piped to a suction vessel, or header, or as far upstream of the skid as practical.

Note 4: Manual valves and small piping are not show for clarity purposes.